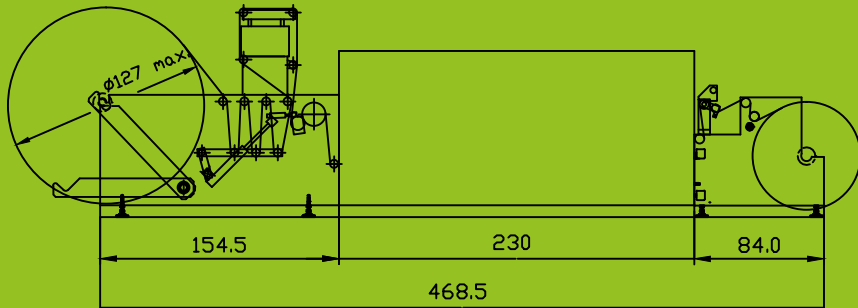


# RG-200

Overlapping machine for two and three sheets glued



The **RG-200** is specially designed to manufacture pharmaceutical leaflets, allowing the incorporation of additional information, without changing the size of the leaflets. This is thanks to the integration of more sheets distributed at the same time, laterally joined by a small portion of glue.

This roll to roll compact machine, allows the overlapping of up to three (3) leaves, gluing, removes excess lateral paper and rewinds with a precise and constant tension, obtaining a novel final product.



## TECHNICAL SPECIFICATIONS:

Maximum paper width .....500 mm.  
Unwinder roll diameter .....1.280 mm.  
Weight of paper .....38 a 120 grsm<sup>2</sup>  
Electrical roll lift  
Web tension control  
Infeed unit  
Web Guide unit  
Airshaft of 70mm or 3"  
Cold glued unit  
Air turn bars 2UP / 3UP  
Exhauster fan  
Rewinder  
Roll Trolley  
Maximum Speed..... 140m/min

### Options

Rewinder roll diameter ..... 1 000 mm.  
Rewinder roll diameter ..... 1.280 mm.

**tectu**PRINT **ERIEC**

Solutions for the printing industry  
[www.tectuprint.com](http://www.tectuprint.com)

Pol. Ind. Casablanca C/ Empordà n° 29  
09192 Sant Quirze del Valles, Barcelona (Spain)  
Phone. +34 937-221-664 · Fax. +34 937-310-588 · [info@tectuprint.com](mailto:info@tectuprint.com)

