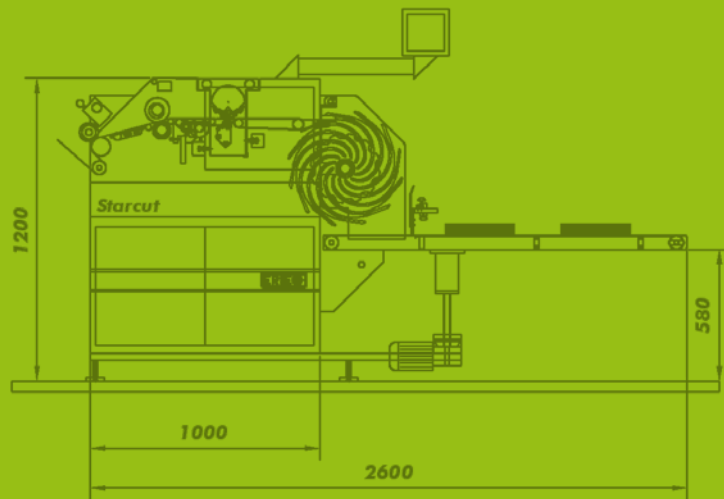


StarCut

Independent variable size sheeter for multi purpose applications



- Single or double stream production.
- Option for gap-out extraction. 12" to A4 portrait. 8 1/2" to A4 landscape.
- Independent electronic drive to be synchronized to any host machine.
- Stacker with pre-selection for stacks from 50 to 1000 sheets.
- Tension or tensionless operation.
- More than 90 machines installed in 5 continents.
- The StarCut features a "creel" style sheeting system that allows to handle difficult sheets with integrated or affixed labels.
- Can be transported from one host machine to another easily.



tectuPRINT
Solutions for the printing industry
www.tectuprint.com

Technical specifications:

Máximum web with:.....520 mm. (20,5")

Minimum web width: 180 mm. (7")

Weight of paper:60-220 gr./m²

Cut off size with one cassette:8-16"

With special kit:6-17"

Pile stack delivery maximum: 1000 sheets 70 gr.

Maximum speed single cut: 180 mt./min.

Maximum speed double cut

with gap out: 160 mt./min.

Maximum speed

with tractor Infeed:..... 150 mt./min.

Options:

Tractor infeed

Vacuum infeed

Cardboard inserter

Cut off cassette for 17" to 26" sheets

Delivery table to formats longer than 17"

Single or double stream production

tectuPRINT **ERIEC**

Solutions for the printing industry
www.tectuprint.com

Pol. Ind. Casablanca C/ Empordà n° 29
09192 Sant Quirze del Valles, Barcelona (Spain)
Phone. +34 937-221-664 · Fax. +34 937-310-588 · info@tectuprint.com

